

# Raz75™ Outdoor Yoke Mount Film Projector

## Specification and Data Sheet



Raz75 halogen yoke mount projectors with bases

### Features

- Heavy wall, light weight aluminum construction
- 5,000 hour Halogen Lamp, sealed with hard coat reflector
- Aluminum housing with stainless steel hardware
- Corrosion resistant design with low heat surfaces
- Uniform light beam distribution
- Hard or soft edge projection with iris kit or framing kit
- Film or Gobo image projection
- UL Listed components
- Sealed Built-in low voltage dimmable transformer, short protection
- Brushed finished housing
- Hard coat anodized finish, medium bronze
- Efficient, precision optical system
- Bk270 optical glass lens
- Manual focus adjustment
- Protection rating of IP65
- Options: DMX512 dimming control, image rotator, one or two channel
- Dichroic filter holder inside light tube

### Specifications

#### Electrical

- 110/120vac input or 220/240vac input
- Lamp power: 12vac 7 amp.
- Grounded NEMA 5-15 plug or water tight connector
- Built-in 12 volt Electronic dimmable transformer
- Transformer is short circuit protected and fused with UL, CSA listings

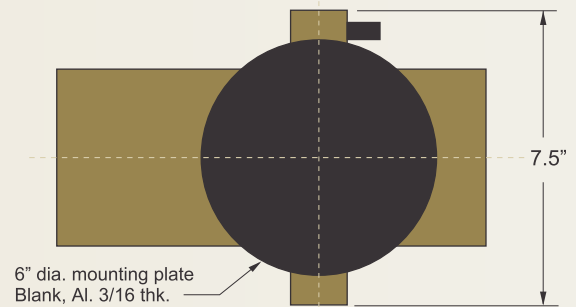
#### Mechanical

- Light tube construction: Aluminum 6063 3/16" wall
- Yoke construction: Al. 6063
- Mounting plate construction : Al. 6063
- Finish: Hard Coat Anodize, Brush finish, medium bronze
- Friction pan(270 degree) and tilt axis(240 degree)
- Cooling system: no fans, heat conduction via tube wall
- Weight: 11.5 lbs.

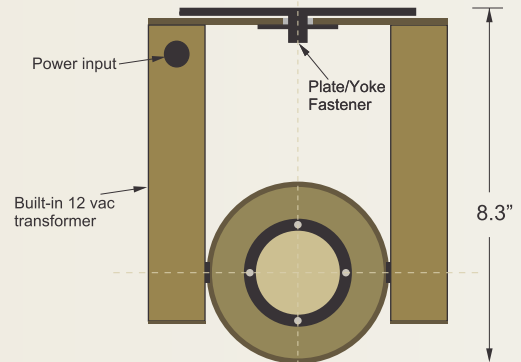
#### Optics

- Lamp: MR-16 12vac, 75watt, 5,000 hour, 950 lumens
- Titanium Oxide Coating with front cover
- Lens: Condenser Lens: Aspheric, bk270
- Primary focus lens: Achromatic, bk270
- Anti-reflect coating
- Housing window: heat resistant Bk270
- Projected image size: 10 feet away produces a 2.6 foot circle
- Film or Gobo circle size: 1.125" effective imaging dia., 1.950" holder dia.
- Custom Lens kits available

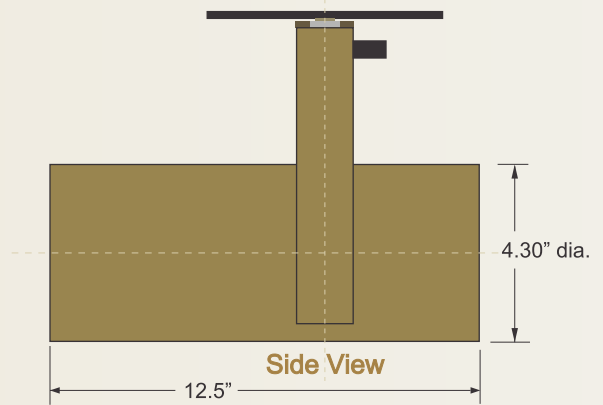
Bottom View



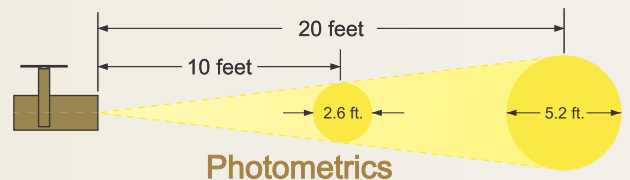
6" dia. mounting plate  
Blank, Al. 3/16 thk.  
Removable, installer drills  
holes, template provided.



Front View



Side View



Photometrics